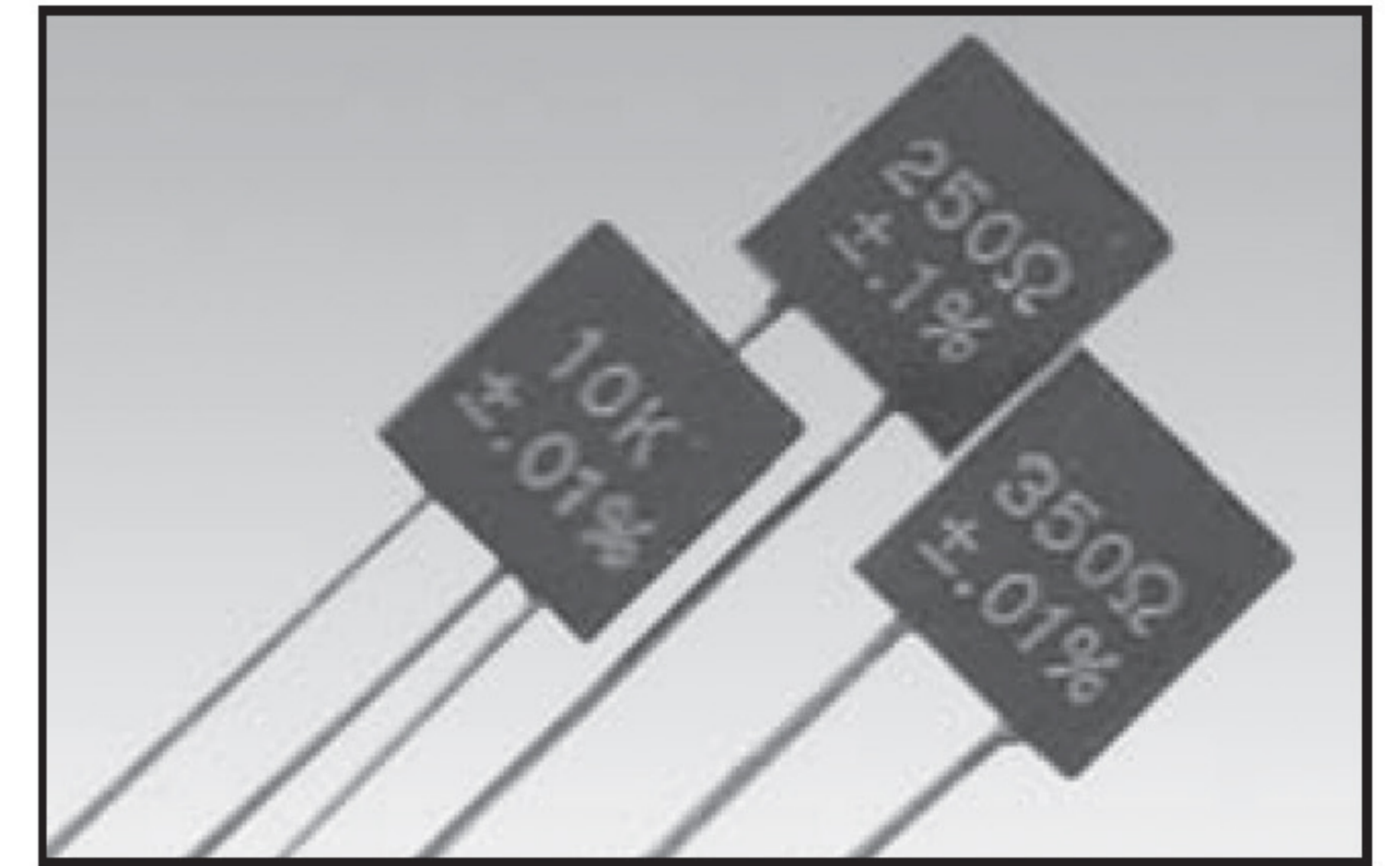


# ±3ppm/°C, 0.01% Precision Wirewound Resistors

GG102 are miniature precision wirewound resistors in compact, rectangular, space-saving shape. Specifically designed for PC board mounting they have radial leads and are enclosed in a molded epoxy case giving the exact uniformity of size required for high density PC board assembly. Each resistor undergoes multiple complete tests during manufacture including an accelerated aging and thermal shock procedure.



## GENERAL SPECIFICATIONS

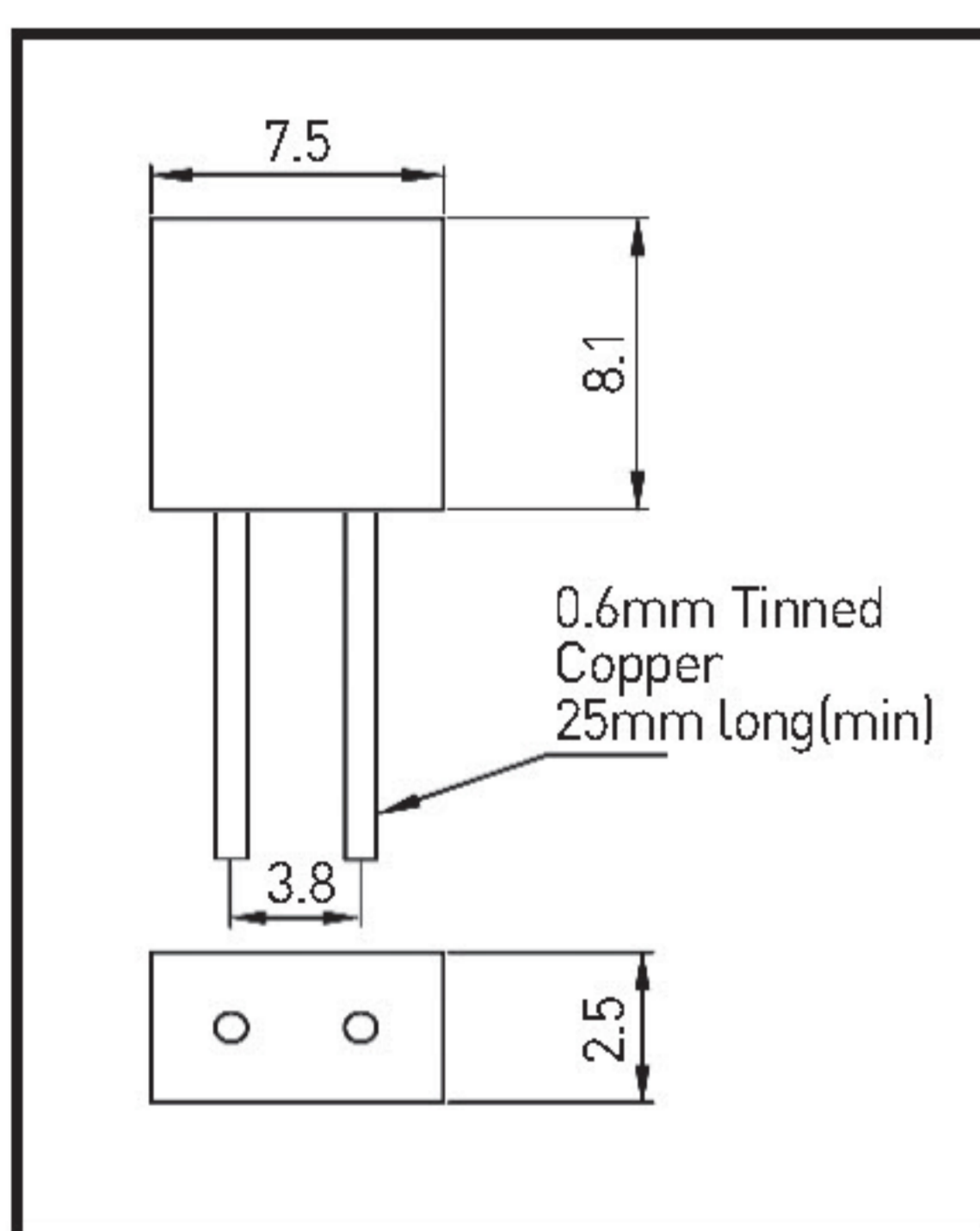
Model	Power Rating [W]	Max. Applied Voltage[V]	Resistance Range[Ω]	Tolerance at 25 °C(%)
GR102A (GG102A)	0.3W (+85°C)	150V DC or AC peak	1Ω~250kΩ	±0.01
GR102D (GG102D)	See diagram of Power Derating Curves			±0.1

\*Please note: RoHS compliant parts are now green and the second letter in the part number is 'G'

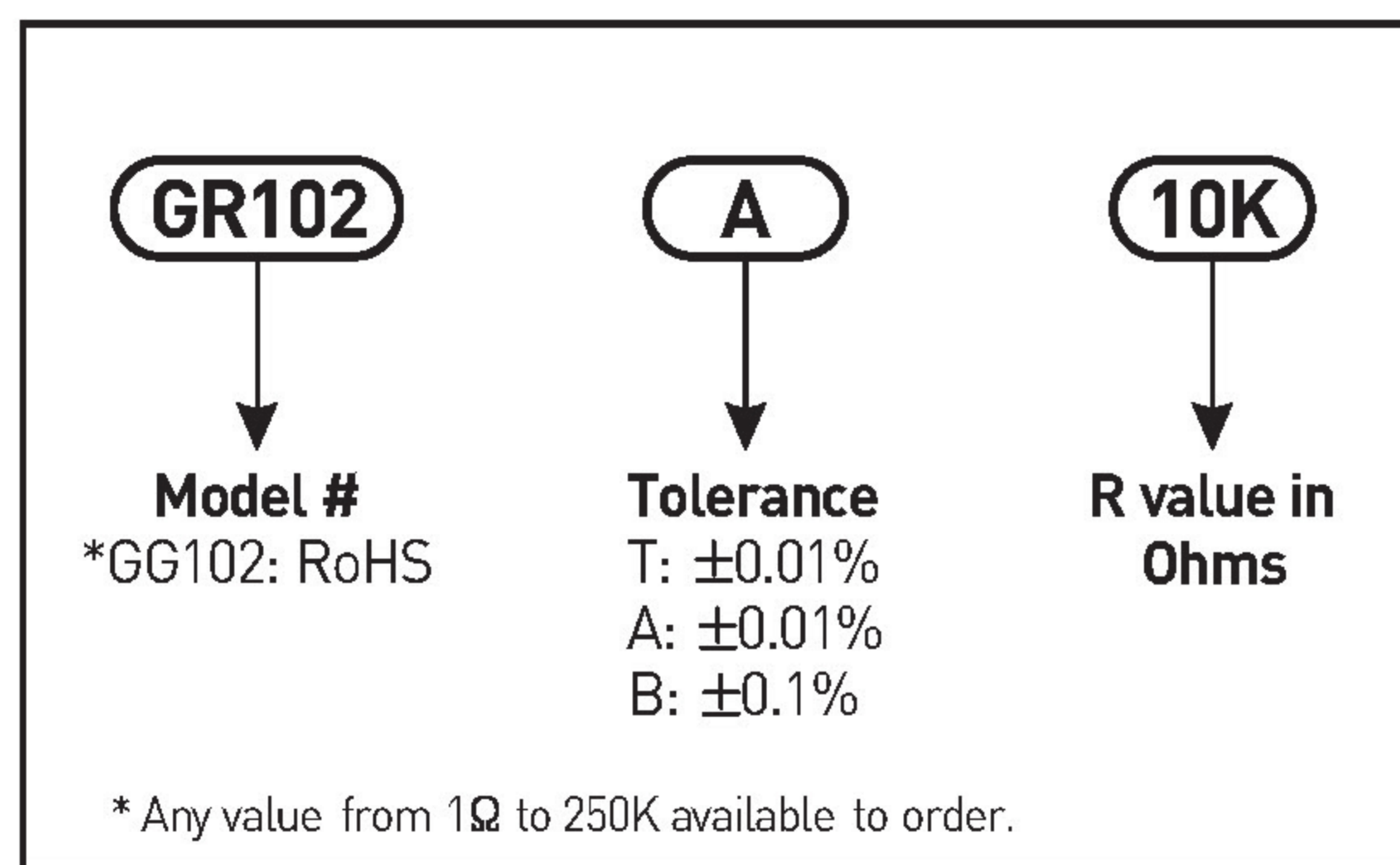
## CHARACTERISTICS

Temp. Coefficient	±3ppm/°C typical over 0 °C to +85°C, ±5ppm/°C maximum over -55 °C to +125 °C
Thermal EMF	< 0.4 μV/°C typical
Noise	Essentially non-measurable
Encapsulation	Moulded epoxy
Leads	22 AWG tinned copper
No Load Stability	±25ppm/10,000 hours, ±35ppm/26,000 hours. over full temp.-55 °C to +125 °C
Full Load Stability	±35ppm/10,000 hours, ±50ppm/26,000 hours.

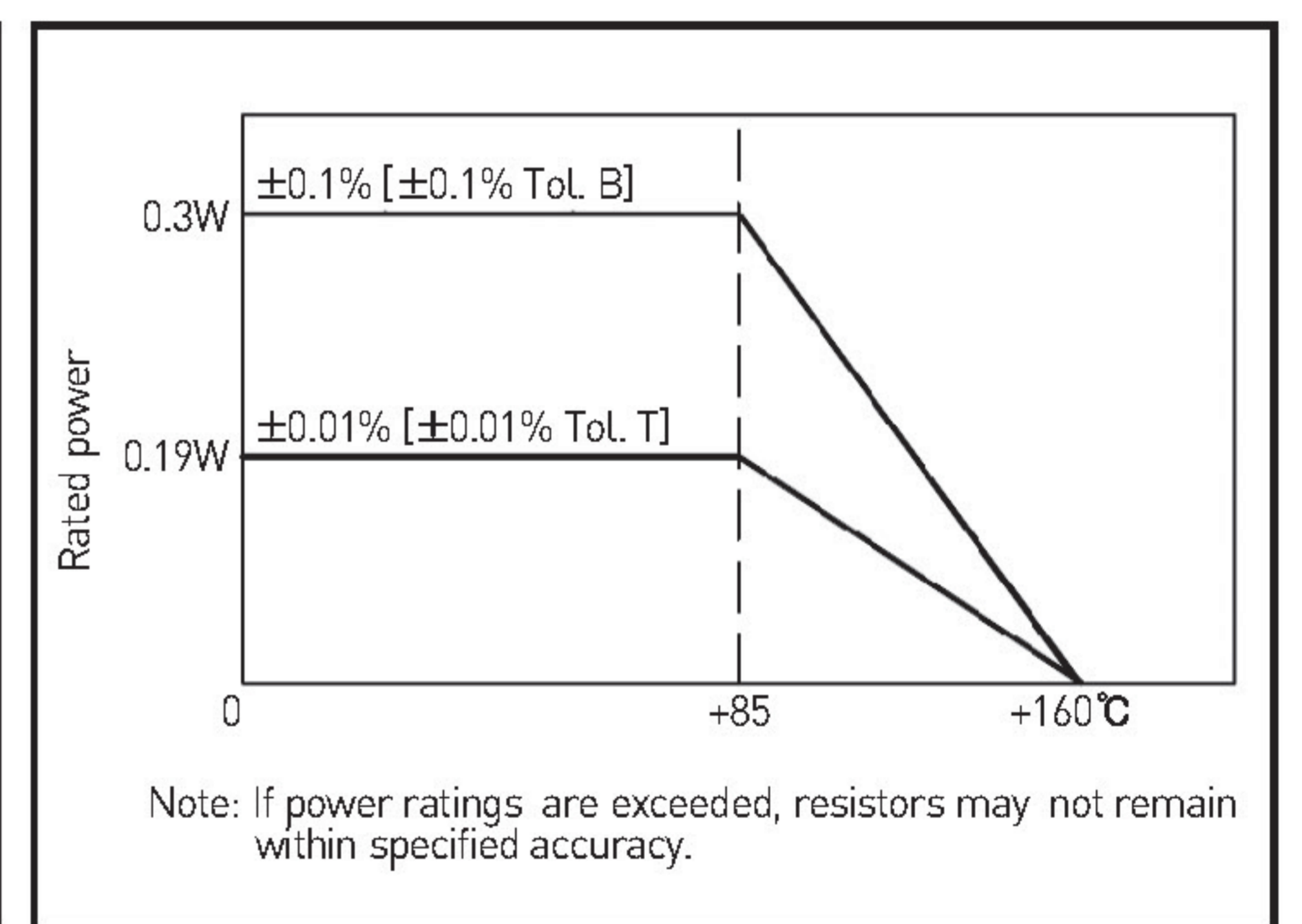
## DIMENSIONS(mm)



## ORDERING PROCEDURE EXAMPLE



## DERATING CURVES



## STANDARD RESISTANCE VALUES

Stocked in 0.1% in listed value shown below				
10 Ω	120 Ω	900 Ω	8 K	180 K
20 Ω	200 Ω	1 K	9 K	90 K
30 Ω	250 Ω	1.5 K	10 K	100 K
40 Ω	300 Ω	2 K	20 K	250 K
50 Ω	350 Ω	2.5 K	25 K	
60 Ω	400 Ω	3 K	30 K	
70 Ω	500 Ω	4 K	40 K	
80 Ω	600 Ω	5 K	50 K	Any non-listed value from 10Ω to 250KΩ available to order
90 Ω	700 Ω	6 K	60 K	
100 Ω	800 Ω	7 K	70 K	