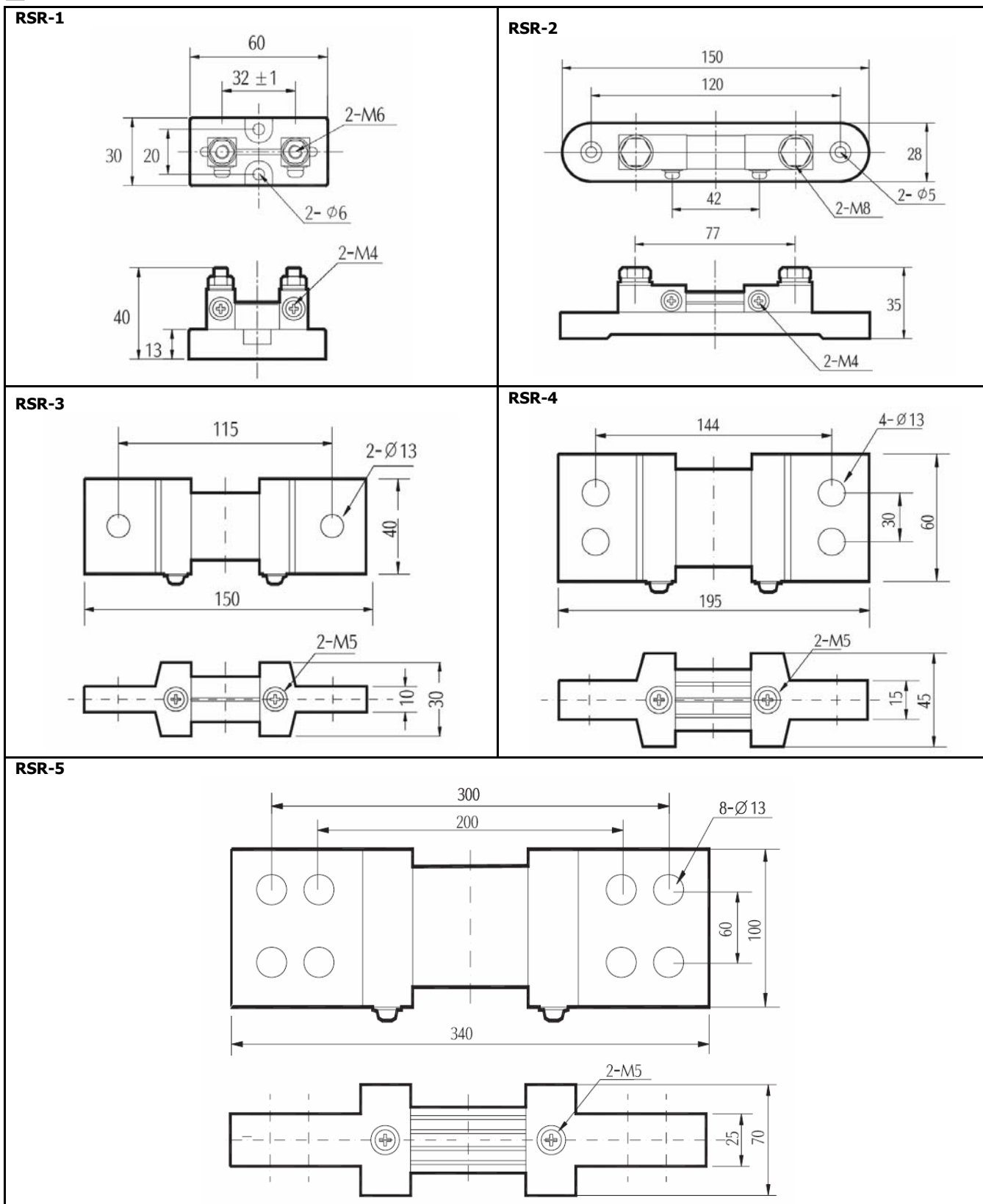


■ DIMENSIONS

Unit : mm



*When you connect to parts of primary current, do not exert force.