

CERMET TRIMMING POTENTIOMETERS

■ SINGLE TURNS/THROUGH-HOLE

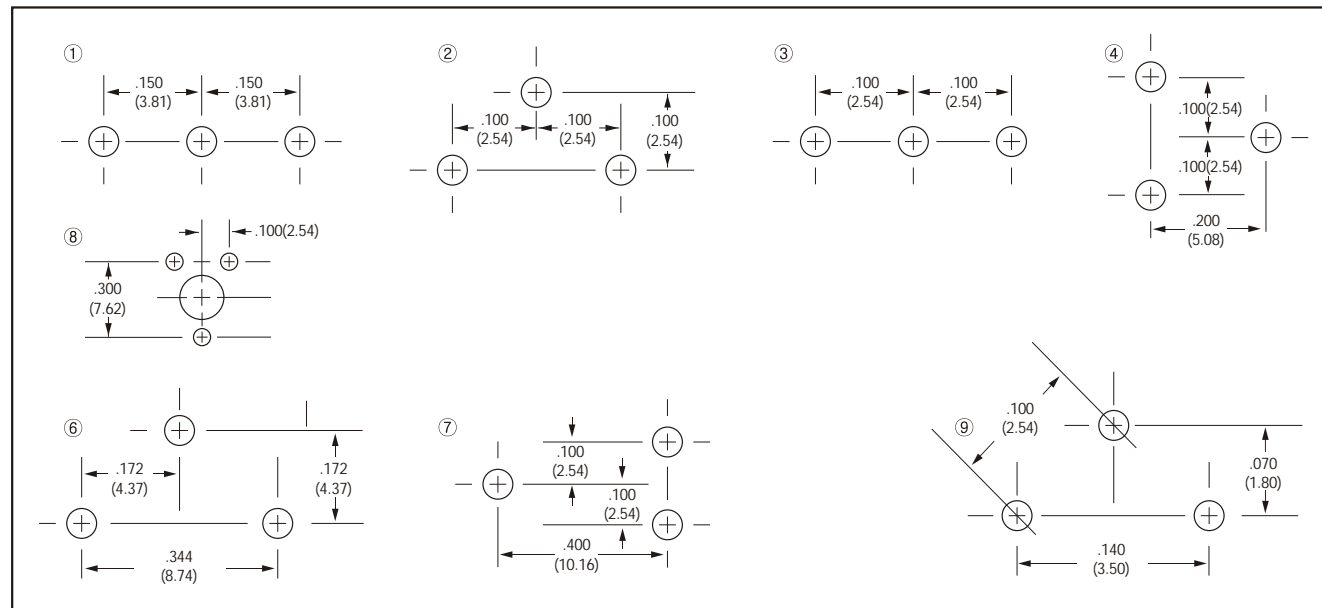
Model	24	25	62	77(Note B)
Size[Note A]	0.157" (4mm)	1/4" (6.35mm)	1/4" (6.35mm)	3/8" (9.53mm)
Electrical Travel	190°	210°	220°	244°
Resistance Range	10-10MΩ	10-2MΩ	10-2MΩ	10-2MΩ
Tolerance	±20% (±10% Available)	±20% (±10% Available)	±10% (< 100Ω= ±20%)	±10% (< 100Ω= ±20%)
TCR(ppm/°C)	±100 (< 200Ω= ±250)	±100 (< 200Ω= ±250)	±100 (< 100Ω= ±250)	±100 (< 100Ω= ±250)
Contact Resistance Variance Max.	2% (< 200Ω=3Ω)	1% (< 100Ω=1Ω)	1% (< 100Ω=1Ω)	1% (< 100Ω=1Ω)
Seal	85 °C Fluorinert	85 °C Fluorinert	85 °C Fluorinert	85 °C Fluorinert
Adjustment style				
Top	24U③ 24W⑨	25P② 25U③ 25W⑨	62P⑨ PF 62M②	72P, PT②, RP 72PI③, 72PM④, 72PX, RPX①
Side, Edge Mount	24S⑨	25S② 25V③ 25X②		72RX, X, XT② 72RW, XL, RXL③ 72XW, RXW④
Bottom			62B⑧	
Packing Options				
Bulk	Standard	NA	Standard	Standard
Tubes	N/A	Standard		P, PM, X, XL XW, RW
Tape&Reel	U	U, V	N/A	RWF(Note C)
Ammo Pack	N/A	U, V	N/A	RWF(Note C)

Note A: Dimensions shown are for popular pin styles. Consult data sheet for complete information.

Note B: Optional adjustment knob version available (Models 72PT & / 72XT)

Note C: "F" is added to pin style for tape & reel and ammo pack.

■ PC BOARD PATTERNS/THROUGH HOLE/inch (mm)

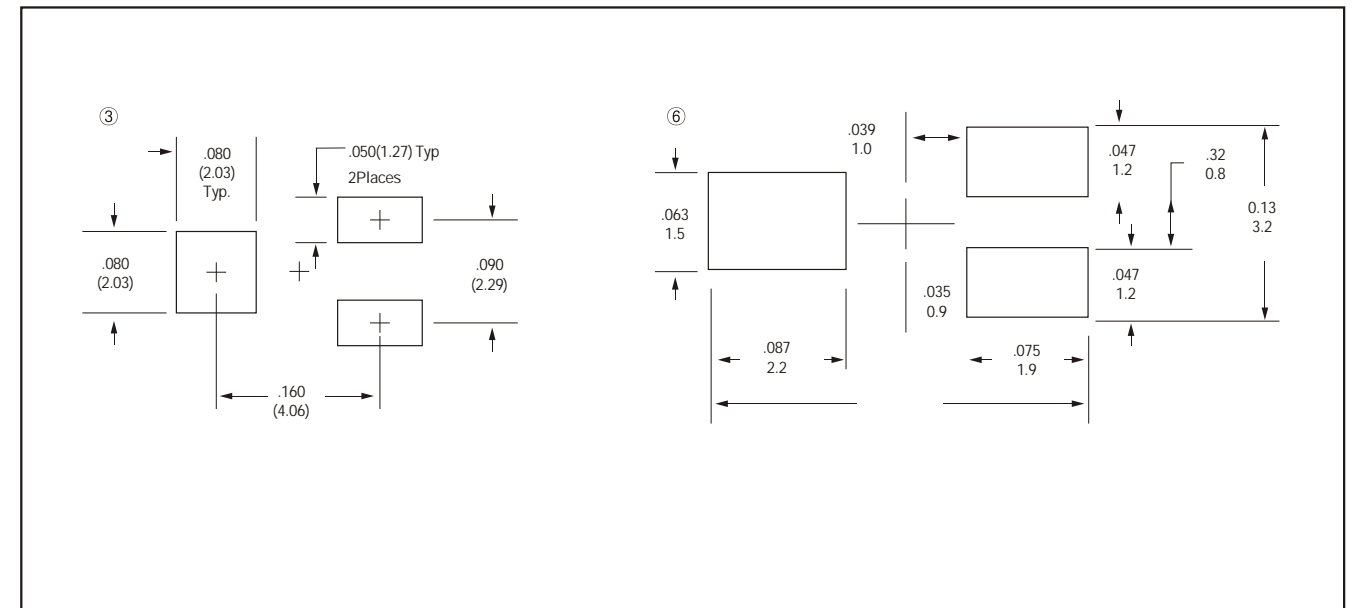


■ SINGLE TURNS/SURFACE MOUNT

Model	82	91	93
Size[Note A]	1/4" (6.35mm)	3/8" (9.53mm)	1/2" (12.70mm)
Electrical Travel	220°	174°	270°
Resistance Range	10-2MΩ	10-2MΩ	10-2MΩ
Tolerance	±10% (< 100Ω= ±20%)	±20%	±20% (< 100Ω= ±20%)
TCR(ppm/°C)	±100 (< 100Ω= ±250)	±100 (< 100Ω= ±250)	±100 (< 100Ω= ±250)
Contact Resistance Variance Max.	1% (< 100Ω=1Ω)	1% (< 100Ω=1Ω)	1% (< 100Ω=1Ω)
Seal	85 °C Fluorinert	Dust Cover	85 °C Fluorinert
Adjustment style			
Top	82M② 82P⑨, PF 82W③	91A③, 91B② 91C⑥, 91E⑦	93P②
Side, Edge Mount	82PA②	91T, X② 91V⑥ 91W③	
Bottom			
Packing Options			
Bulk	Standard	Standard	Standard
M, P, PA, W	N/A	N/A	N/A
WF(Note C)	N/A	N/A	N/A
WF(Note C)	N/A	N/A	N/A

Model	22	23
Size[Note A]	0.118" (3mm)	0.157" (4mm)
Electrical Travel	220°	220°/210°
Resistance Range	100-1MΩ	100-2MΩ
Tolerance	±20%	±20%
TCR(ppm/°C)	±100 (< 200Ω= ±250)	±100 (< 200Ω= ±250)
Contact Resistance Variance Max.	3%	2% (< 200Ω= ±250)
Seal	85 °C Fluorinert	85 °C Fluorinert
Adjustment style		
Top	22A⑤ 22B⑥	23A③ 23B
Side, Edge Mount		23S③
Bottom		
Packing Options		
Bulk	Standard	N/A
Tubes	N/A	N/A
Tape&Reel	N/A	Standard
Ammo Pack	N/A	N/A

■ PC BOARD PATTERNS/SURFACE MOUNT/inch (mm)



■ MULTI TURNS/THROUGH-HOLE

Model	64	67	68	89/90
Size[Note A]	1/4" (6.35mm)	3/8" (9.53mm)	3/8" (9.53mm)	3/4"(19.05mm)(Note B)
Electrical Travel	12 Turns	20 Turns	20 Turns	20 Turns
Resistance Range	10-2MΩ	10-2MΩ	10-2MΩ	10-2MΩ
Tolerance	±10%	±10% (< 100Ω=±20%)	±10% (< 100Ω=±20%)	±10% (< 100Ω=±20%)
TCR (ppm/°C)	±100 1%(< 100Ω=1Ω)	±100 1%(< 100Ω=1Ω)	±100 1%(< 100Ω=1Ω)	±100 1%(< 100Ω=1Ω)
Contact Resistance Variance Max.	1%			
Seal	85 °C Fluorinert	85 °C Fluorinert	85 °C Fluorinert	85 °C Fluorinert
Adjustment style				
Top	64W② 64Y③	67W③ 67Y②	68W③	89P, 89PH④, 90P (Note F)
Side, Edge Mount	64X② 64Z③	67X③ 67Z②	68X③	89W, 89WH⑤, 89X, 89XH①
Side, Flat Mount	64P②	67P②	68P②	
Packing Options				
Bulk	N/A	Standard	Standard	Standard
Tubes	Standard	P, W, X, Y, Z	P, W, X	P, W, PH, WH, XH
Tape & Reel	YF, ZF(Note E)	WF, XF(Note E)	WF, XF(Note E)	N/A
Ammo Pack	YF, ZF(Note E)	WF, XF(Note E)	WF, XF(Note E)	N/A

Note A: Dimensions shown are for popular pin styles.

Consult data sheet for complete information.

Note B: High profile(.34") version available, models 89PH, WH, XH.

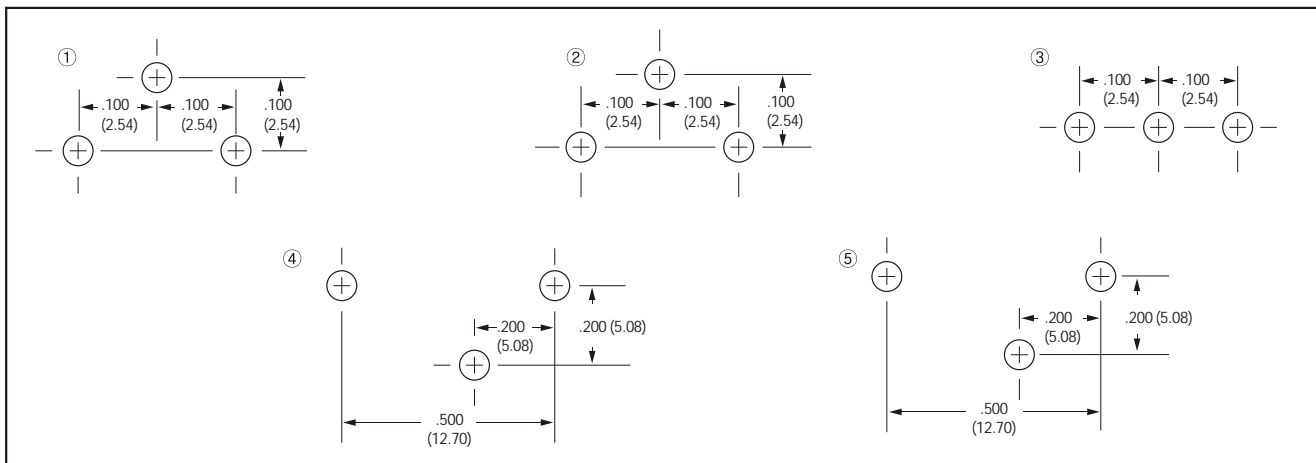
Note C: Termination style has flexible leads.

Note D: Termination style has J-hooks.

Note E: "F" is added to pin style for tape & reel and ammo pack.

Note F: Model 90P features transparent housing.

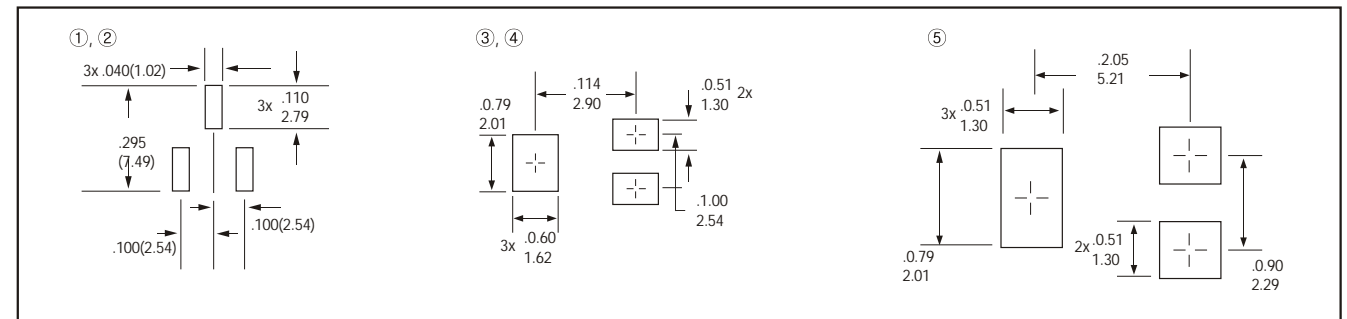
■ PC BOARD PATTERNS/THROUGH HOLE/inch(mm)



■ MULTI TURNS/SURFACE MOUNT

Model	44	45	84
Size[Note A]	.157"(4mm)	.157"(4mm)	1/4"(6.35mm)
Electrical Travel	9 Turns	15 Turns	12 Turns
Resistance Range	10-2MΩ	10-2MΩ	10-2MΩ
Tolerance	±10% (< 100Ω=±20%)	±10% (< 100Ω=±20%)	±10%
TCR (ppm/°C)	±100 1%(< 100Ω=1Ω)	±100 1%(< 100Ω=1Ω)	±100 1%(< 100Ω=1Ω)
Contact Resistance Variance Max.	1%	1%	1% (< 100Ω=±1Ω)
Seal	85 °C Fluorinert	85 °C Fluorinert	85 °C Fluorinert
Adjustment style			
Top	44W ③	44W ③	84W ①
Side, Edge Mount	44J ④ 44G ⑤	44J ④ 44G ⑤	84X ①
Side, Flat Mount			84P ②
Packing Options			
Bulk	N/A	N/A	N/A
Tubes	G, J, W	G, J, W	Standard
Tape & Reel	Standard	Standard	P, W, X
Ammo Pack	N/A	N/A	N/A

■ PC BOARD PATTERNS/SURFACE MOUNT/inch(mm)



■ ORDERING PROCEDURE EXAMPLE

